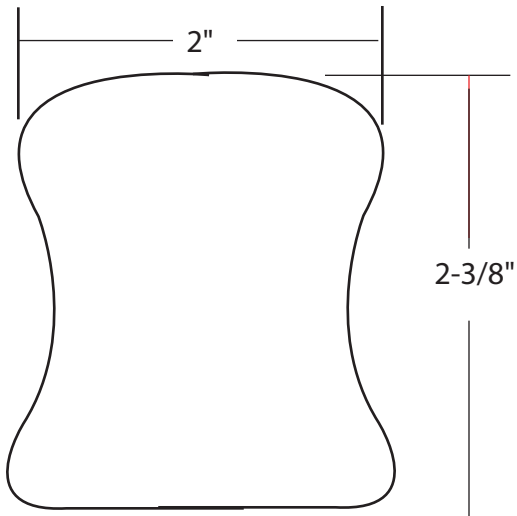


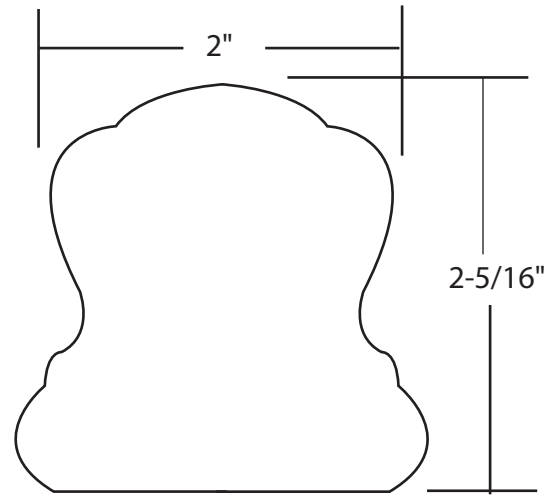


Code Handrails

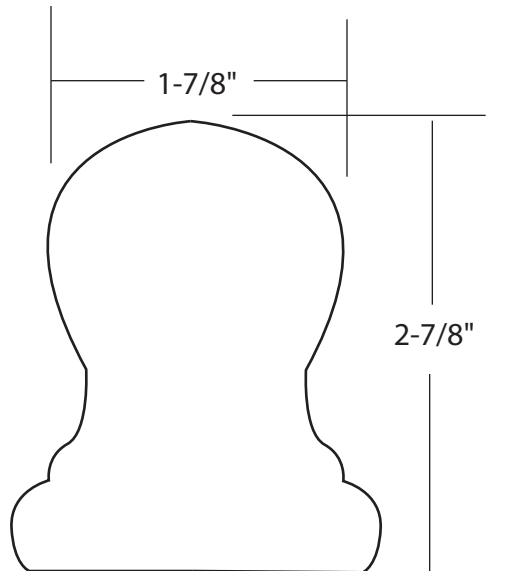
Handrails are either permitted or disallowed by building codes based on a formula of "graspable surface". The idea is that rails too large in circumference cannot be easily grasped by persons with small hands, children, and the elderly. Smaller is generally better. Many larger old-style rails are no longer permitted. The rails pictured below are manufactured to conform to newer building codes, and are available in flat-bottom or plowed profiles. In any stairbuilding situation, it is always advisable to show a sample or drawings to the local building department or building inspector before beginning work. There is a widely used UNIFORM BUILDING CODE, but local codes can and do vary. The rails shown below are available in oak and poplar. Drawings are representations, and may vary from the actual rails.



LJ-6A10



LJ-6B10



LJ-6109